

DOOR/REAR DECK MOUNT SPEAKER

KFC-177DII

SERVICE MANUAL

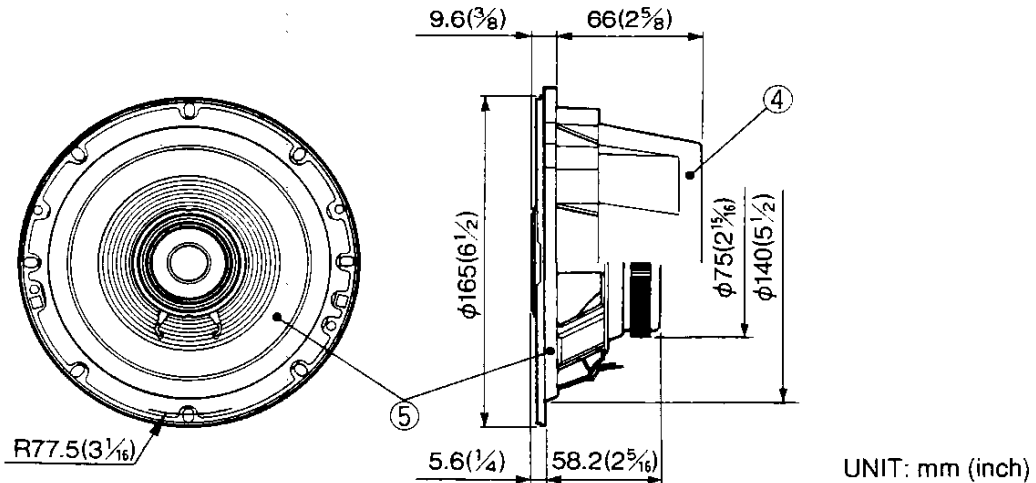
KENWOOD

Q.C.

COPY

© 1992-6 PRINTED IN JAPAN
B51-6498-00 (B) 1631

EXTERNAL VIEW



PARTS INCLUDED

- ① $\phi 4-16(3/16-5/8)$ X 16
- ② X 8
- ③ X 8
- ④ X 2

PARTS LIST

★ New parts

Parts without **Parts No.** are not supplied.

Les articles non mentionnés dans le **Parts No.** ne sont pas fournis.

Teile ohne **Parts No.** werden nicht geliefert.

Ref No.	New Parts	Parts No.	Description
④		J19-2457-08	BRACKET
①~③		N99-1070-08	SCREW SET
⑤	★	T15-0215-08	SPEAKER

SPECIFICATIONS

- Speakers
 - Woofers _____ 16.5cm(6-1/2in) Cone Type
180g(6.5oz) Magnet
 - Tweeters _____ 50mm(2in) Cone Type
 - Peak Power _____ 70 Watts
 - Sensitivity _____ 91 dB/W at 1m
 - Impedance _____ 4 Ohms
 - Weight Per Speaker _____ 1,480g(3.3lb)/Pair

(KENWOOD follows a policy of continuous advancements in development.
For this reason specifications may be changed without notice.)